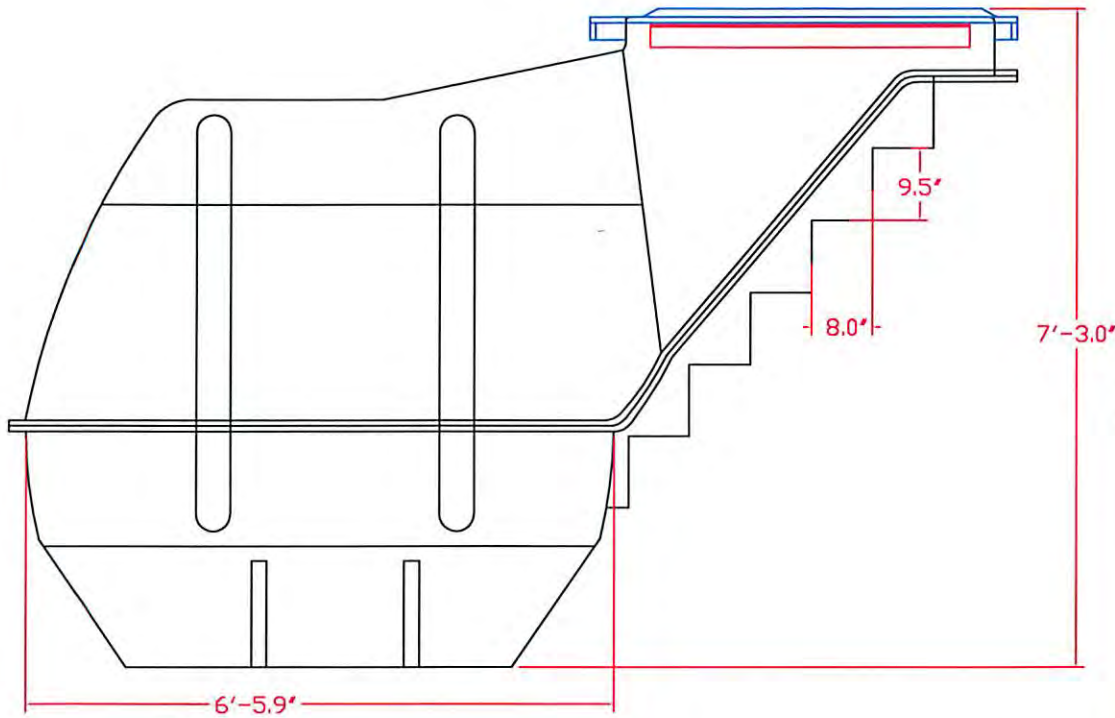


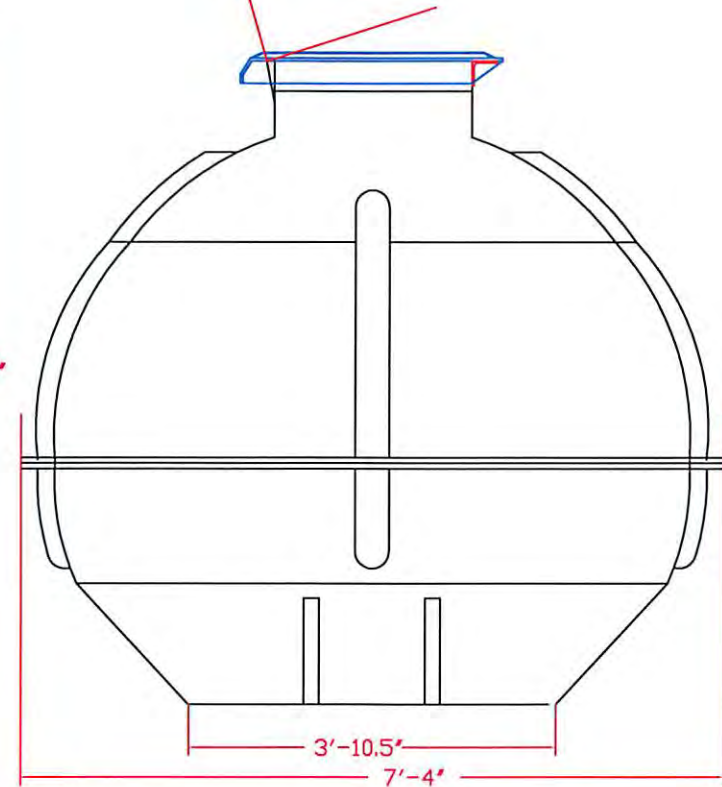
Door opening 24" X  
45.5" per ICC 500  
Sect 502.2



Vent  
Side View

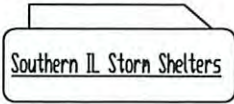


4" air vent 3 on one side  
per ICC 500 Sect 702.1.

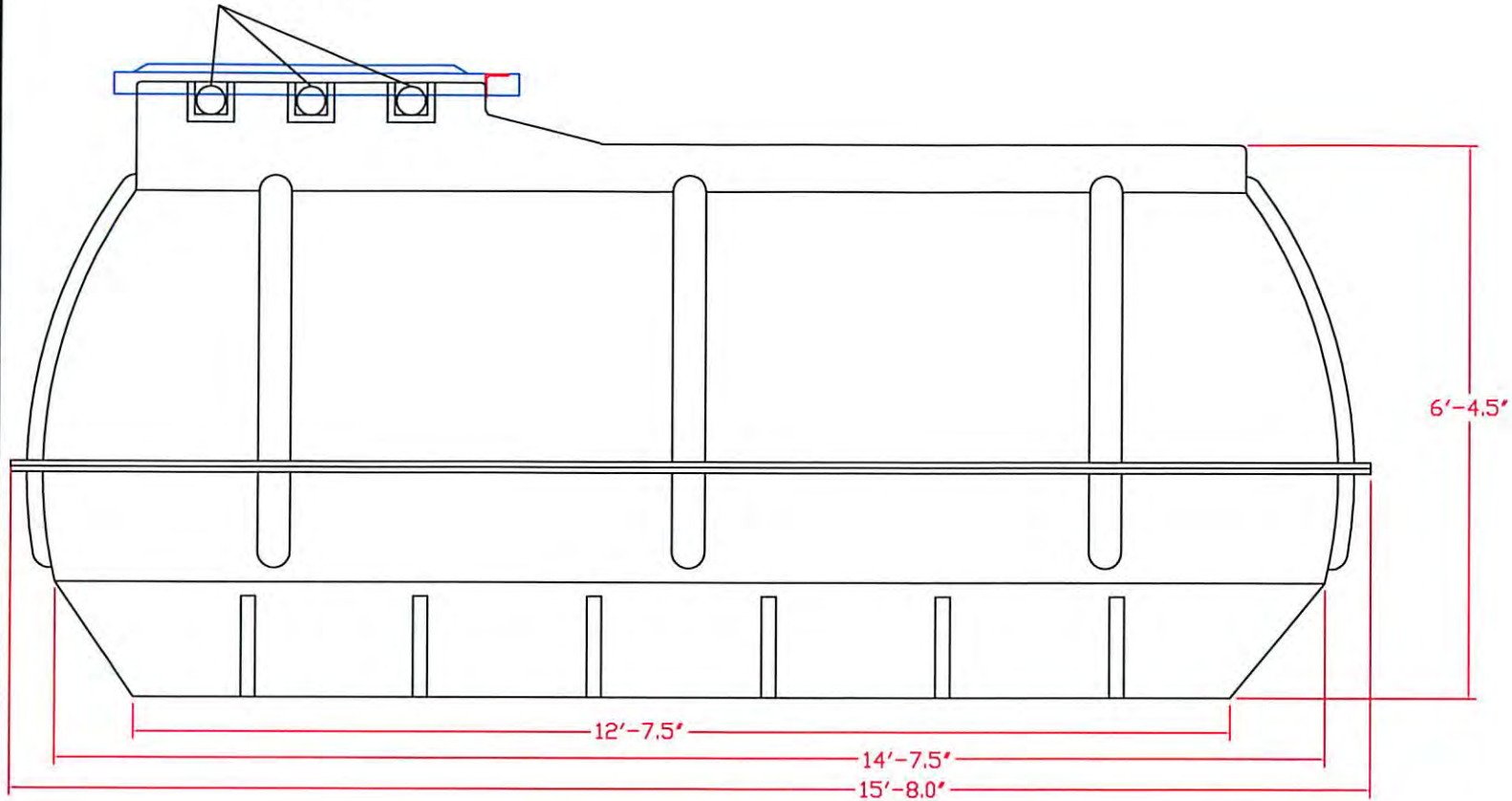


REFER TO DRAWING 1 FOR CODE DESCRIPTIONS AND DRAWING 2 FOR HATCH DETAILS. THIS DRAWING HAS BEEN VERIFIED TO CONFORM TO FEMA 320, AUG, 2008 PROVISIONS FOR OCCUPANT DENSITY, VENTILATION AND ACCESS REQUIREMENTS. SHELTER WILL ACCOMMODATE 8 ADULTS PER NPCTS. SHELTER IS WATERPROOFED AT FACTORY. SHELTER MEETS OR EXCEEDS ICC 500 SPECIFICATIONS WHEN INSTALLED PER FACTORY INSTRUCTIONS.



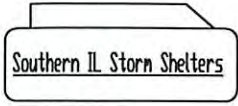
REV.	A	DATE	CHANGE OR ADDITION
		PAPER SIZE	SCALE 1-1
		SHEET _1_ OF _1_	DATE 5-13-2011
		MODEL NUMBER LS 08	DRAWN BY HAG
PART NAME LS 08 Storm Shelter			
APPROVED BY			DRAWING NUMBER

4" air vent 3 per  
side per ICC 500  
Sect 702.1

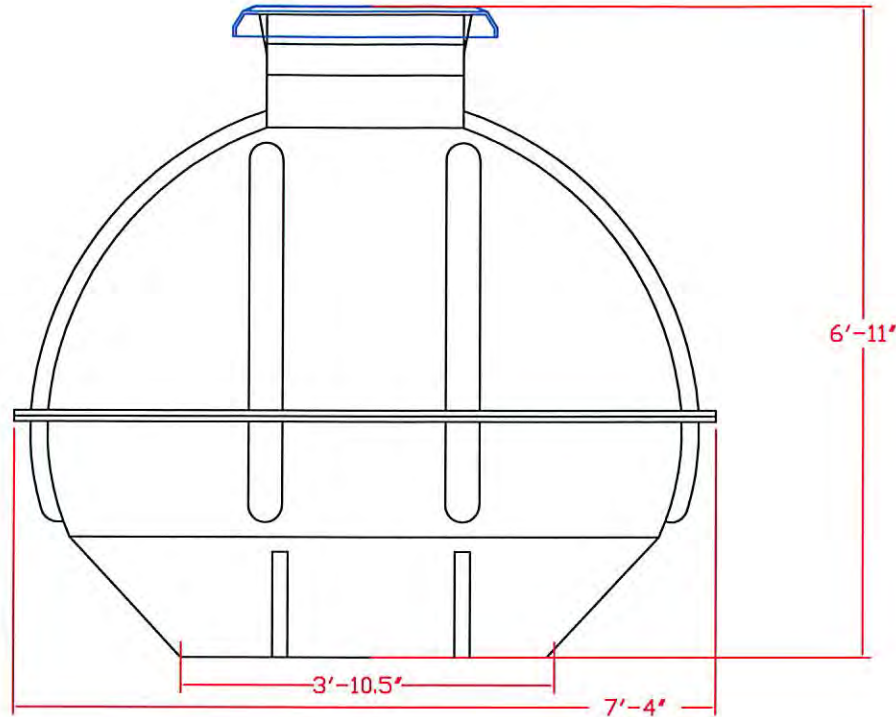


REFER TO DRAWING 1 FOR CODE DESCRIPTIONS AND DRAWING 2 FOR HATCH DETAILS. THIS DRAWING HAS BEEN VERIFIED TO CONFORM TO FEMA 320, AUG, 2008 PROVISIONS FOR OCCUPANT DENSITY, VENTILATION AND ACCESS REQUIREMENTS. SHELTER WILL ACCOMMODATE 20 ADULTS PER NPCTS. SHELTER IS WATERPROOFED AT FACTORY. SHELTER MEETS OR EXCEEDS ICC 500 SPECIFICATIONS WHEN INSTALLED PER FACTORY INSTRUCTIONS.



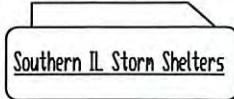
REV.	A	DATE	CHANGE OR ADDITION
		PAPER SIZE	SCALE 1-1
		SHEET <u>1</u> OF <u>2</u>	DATE 1/30/04
		MODEL NUMBER LS 20	DRAWN BY HAG
PART NAME LS 20 Storm Shelter			
APPROVED BY			DRAWING NUMBER

Door opening 24" X 45.5"  
per ICC 500 Sect 502.2



REFER TO DRAWING 1 FOR CODE DESCRIPTIONS AND DRAWING 2 FOR HATCH DETAILS. THIS DRAWING HAS BEEN VERIFIED TO CONFORM TO FEMA 320, AUG, 2008 PROVISIONS FOR OCCUPANT DENSITY, VENTILATION AND ACCESS REQUIREMENTS. SHELTER WILL ACCOMMODATE 20 ADULTS PER NPCTS. SHELTER IS WATERPROOFED AT FACTORY. SHELTER MEETS OR EXCEEDS ICC 500 SPECIFICATIONS WHEN INSTALLED PER FACTORY INSTRUCTIONS.



REV.	A	DATE	CHANGE OR ADDITION
		PAPER SIZE	SCALE 1-1
		SHEET <u>2</u> OF <u>2</u>	DATE 1/30/04
		MODEL NUMBER LS 20	DRAWN BY HAG
PART NAME LS 20 Storm Shelter			
APPROVED BY			DRAWING NUMBER